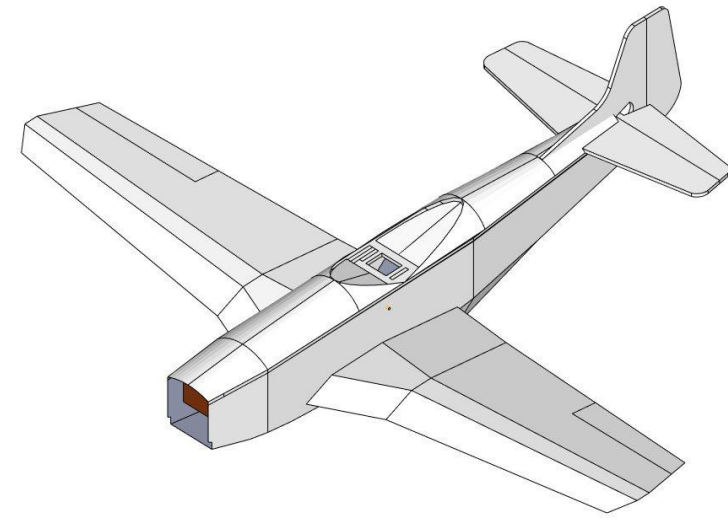


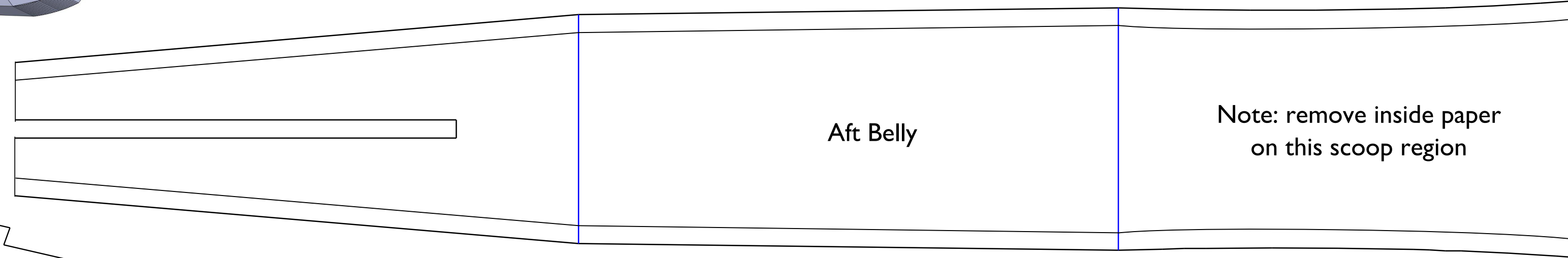
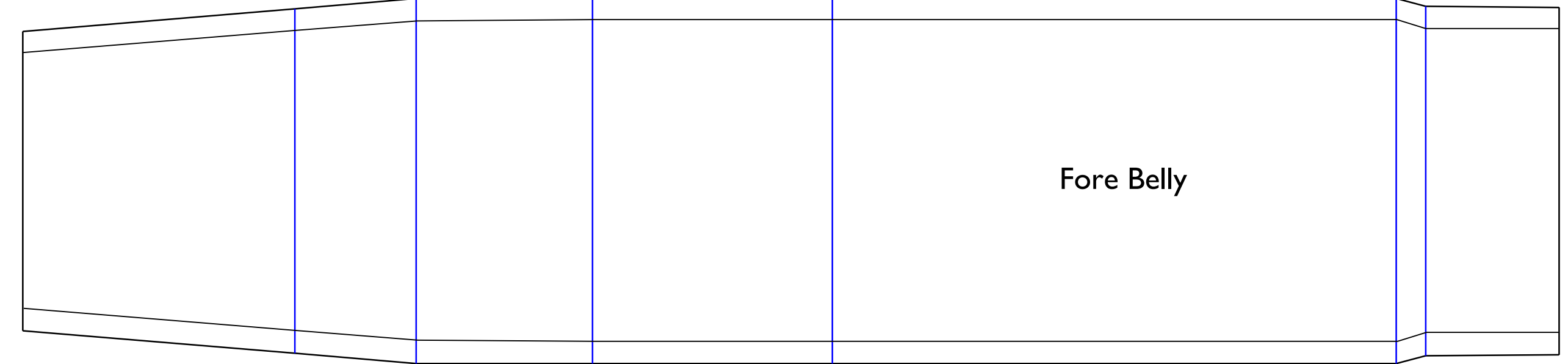
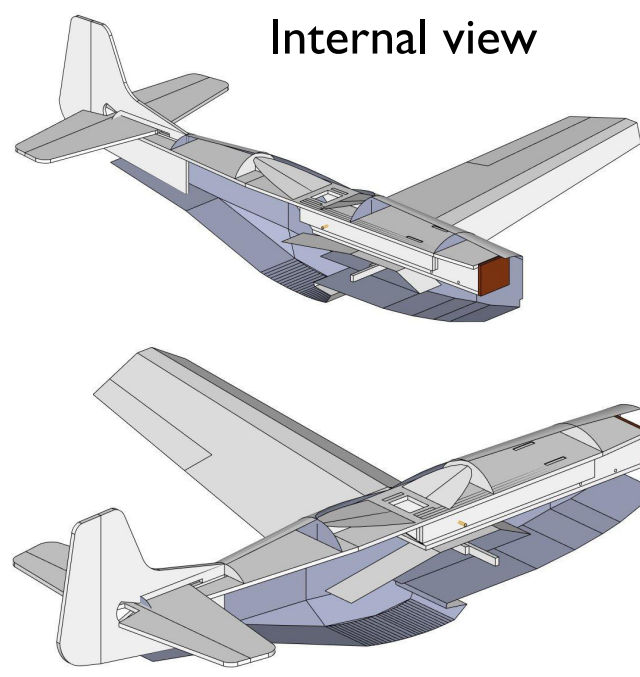
# Swappable P51-D Mustang (v1.0)

Design by Jason Eric Anderson  
<http://goo.gl/CvAo8X>

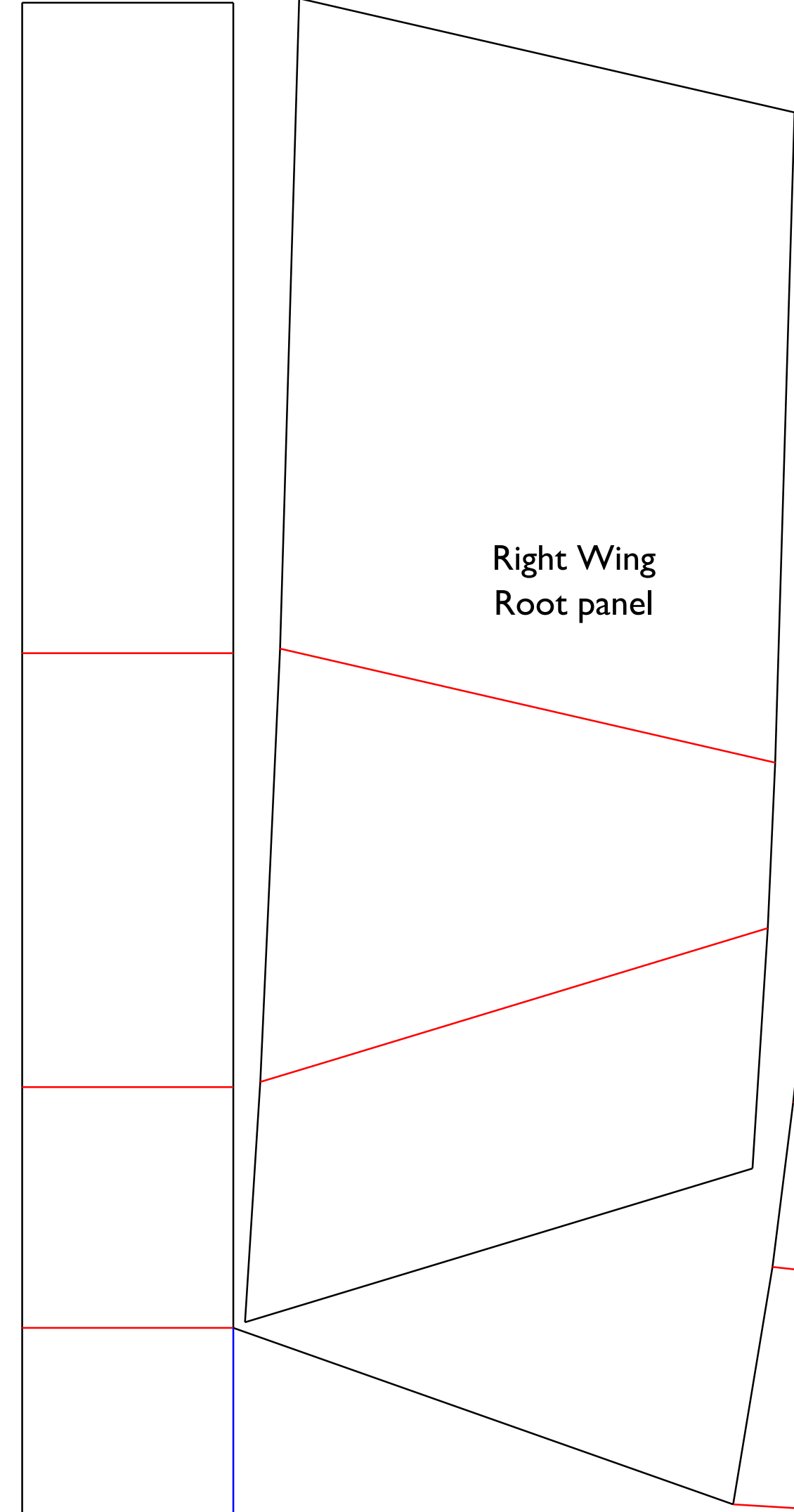
External view



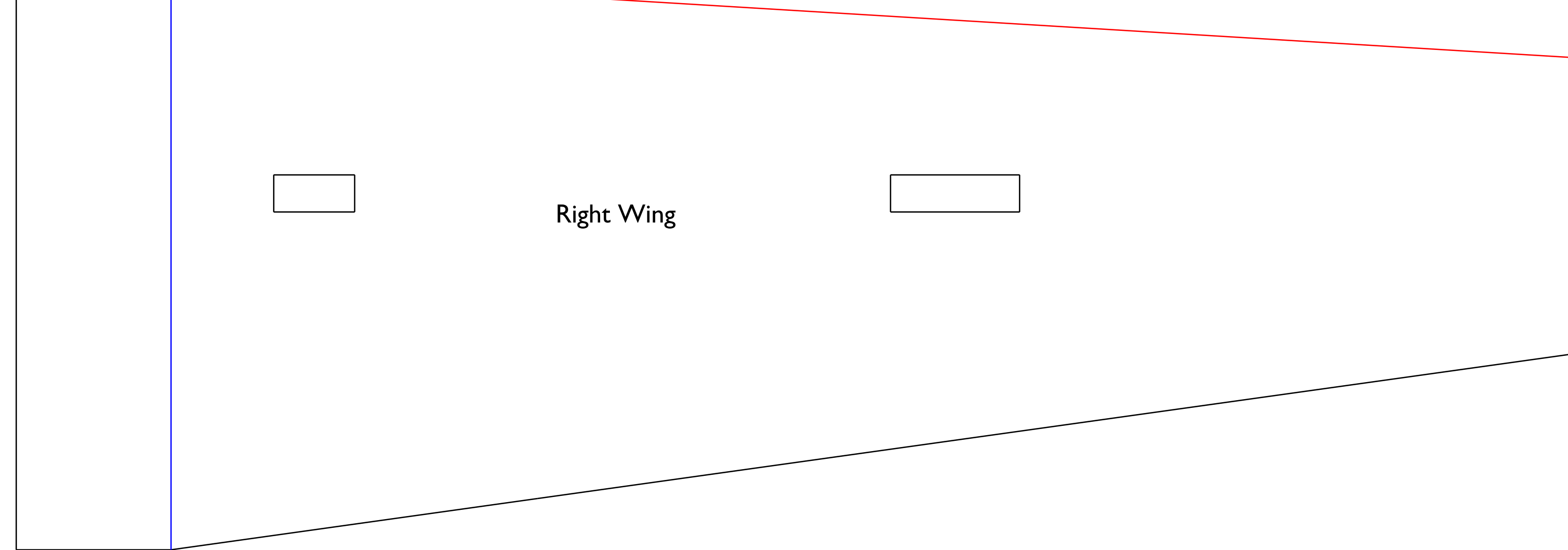
Internal view



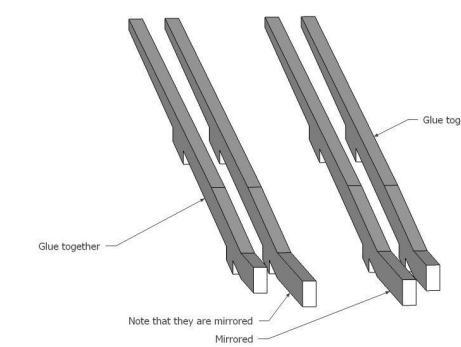
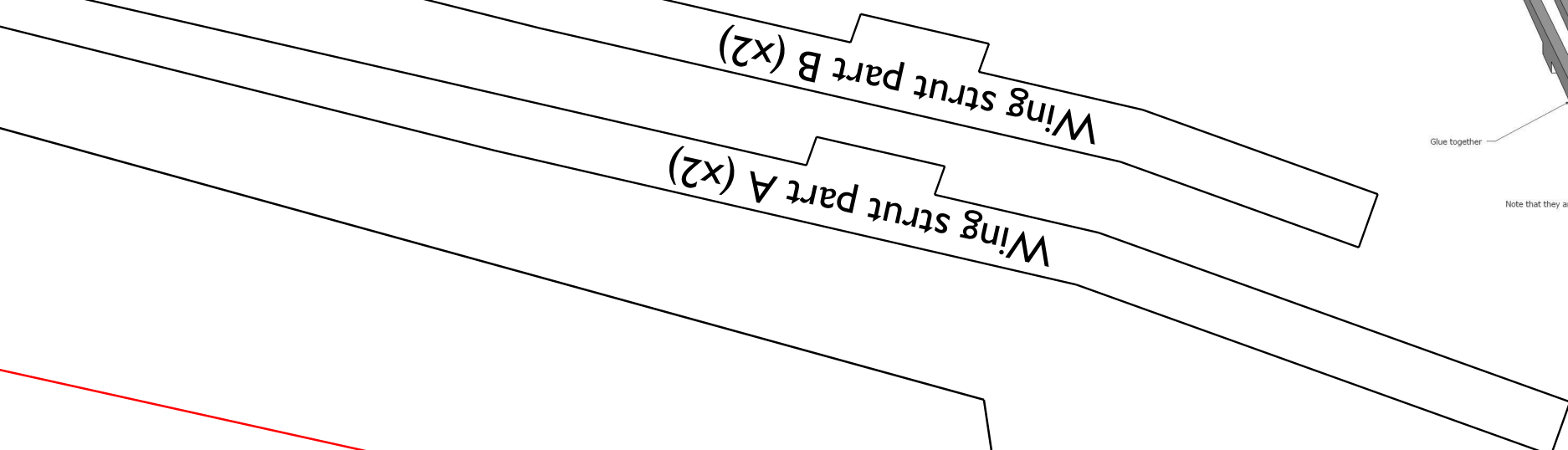
Right Wing Root panel



Right Wing

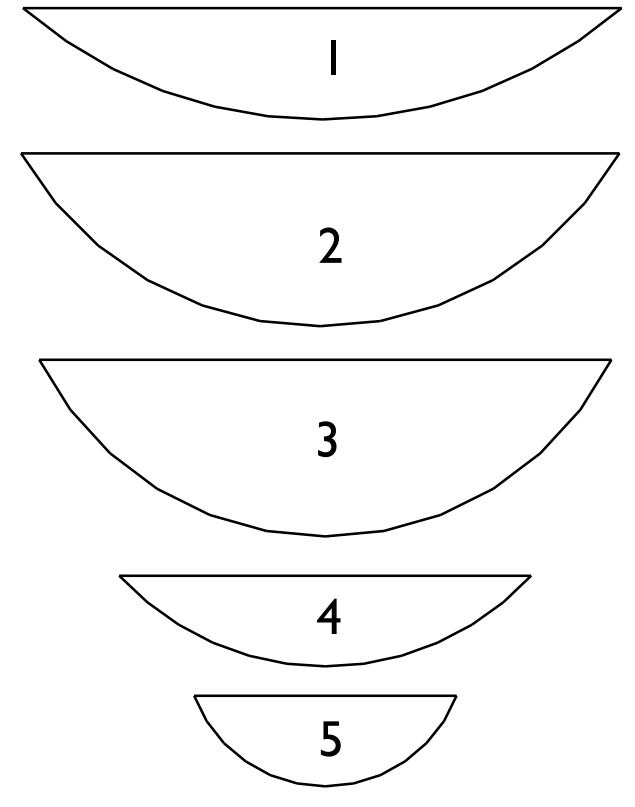
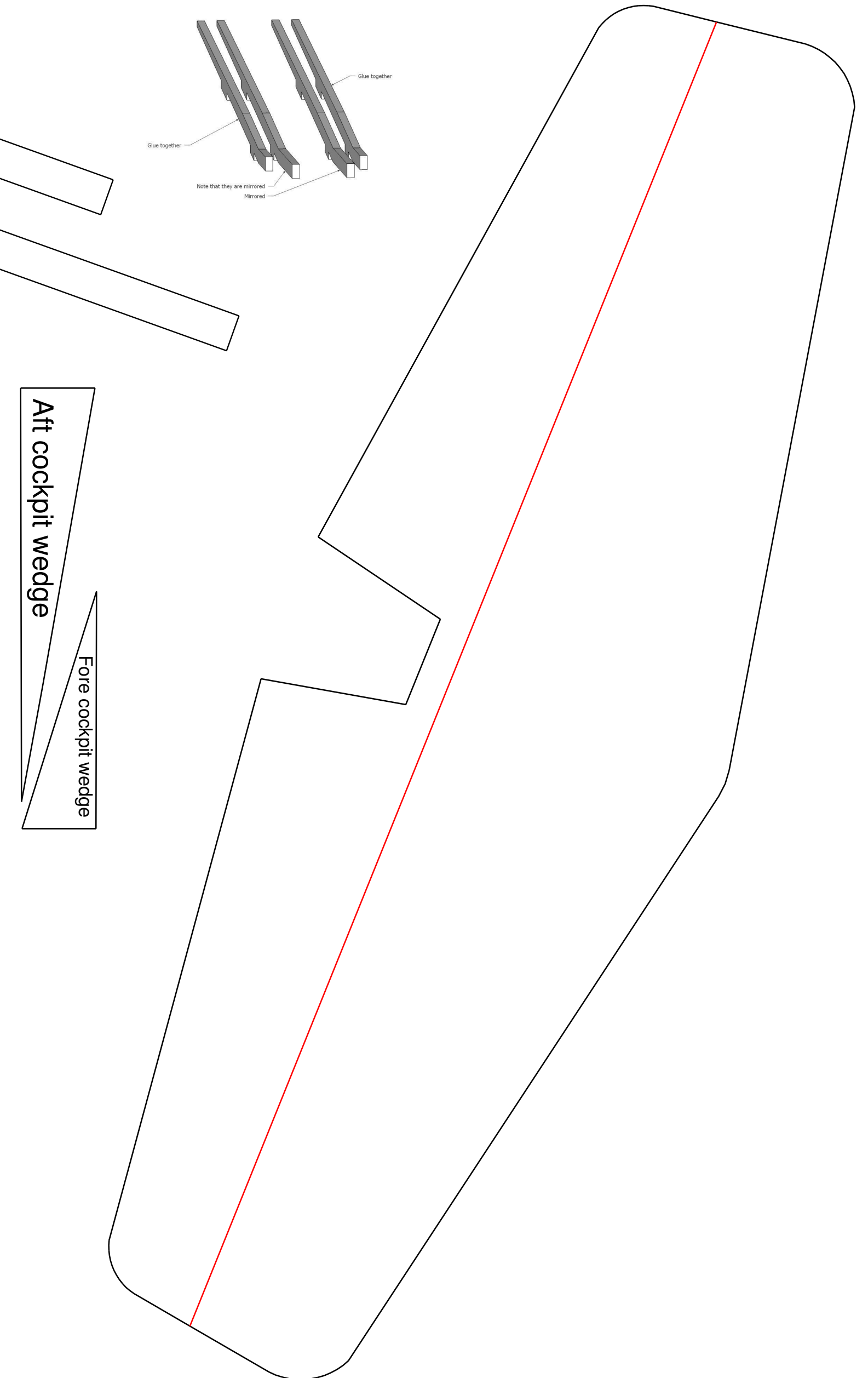


Wing strut part B (x2)  
Wing strut part A (x2)



Aft cockpit wedge

Fore cockpit wedge



-> Nose to tail bulkheads ->